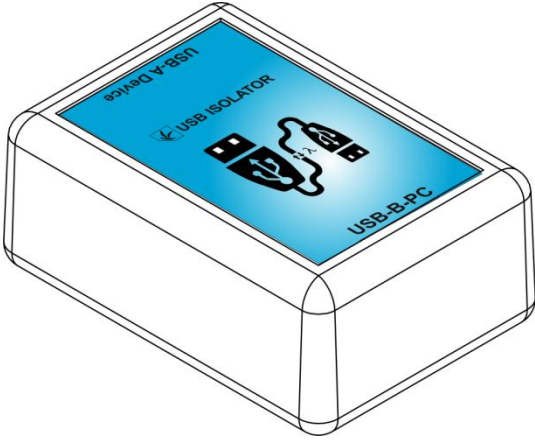
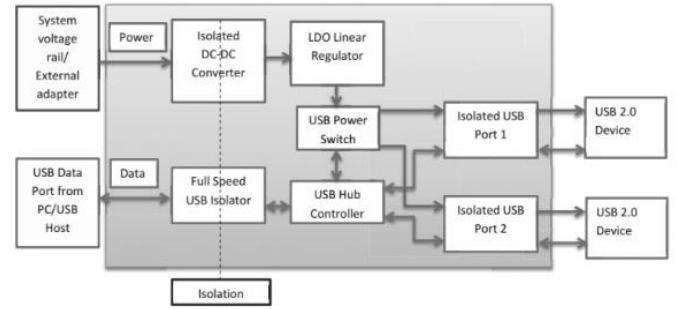


# 5 kV USB DATA ISOLATOR



## BLOK DİAGRAMI



## GRAFİKLER

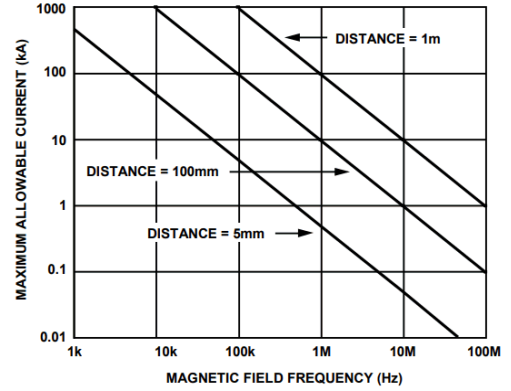


Figure 7. Maximum Allowable Current for Various Current-to-ADuM4160 Spacings

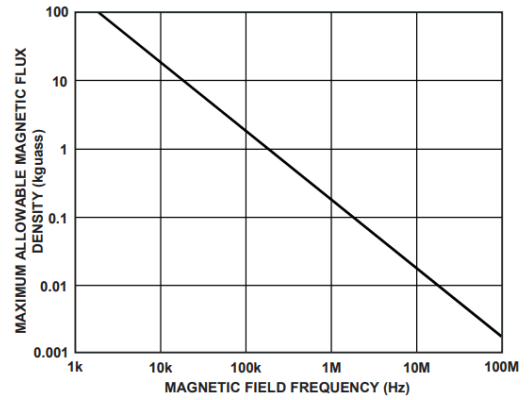


Figure 6. Maximum Allowable External Magnetic Flux Density

## ÖZELLİKLERİ

- USB 2.0 compatible
- Low and full speed data rate: 1.5 Mbps and 12 Mbps
- Operating Temperature Range: -40°C +85°C
- 7 mA maximum upstream supply current @ 1.5 Mbps
- 8 mA maximum upstream supply current @ 12 Mbps
- 50x35x20 mm
- Connect to systems through standard USB Type A and Type B connectors.
- 

## KULLANIM ALANLARI

- USB peripheral isolation
- Isolated USB hub
- Medical applications

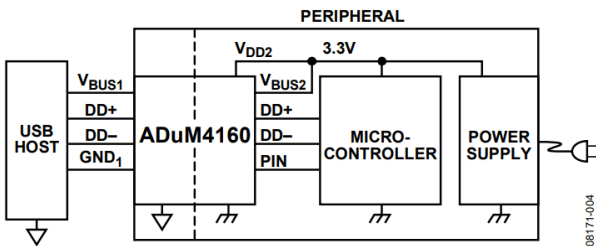


Figure 4. Typical Application